

# Model: TCE 31-4

## Data

---

Type: Condensers

Producer: ECO

Series: TCE

## Model: TCE 31-4

### Condenser technical data

Air flow [m <sup>3</sup> /h]:	7930
Heat exchange surface (int./ext.) [m <sup>2</sup> ]:	6,6/66
Inner volume [dm <sup>3</sup> ]:	9,7
Weight [kg]:	54

### Fans technical data

Count:	4
Diameter [mm]:	350
RPM [min <sup>-1</sup> ]:	1420
Power input [W]:	740
Current [A]:	3,84
Power supply [V/f/Hz]:	230V/1/50Hz

### Acoustic data

Sound pressure level :	54
------------------------	----

### Connections

	<u>milimeters</u>	<u>inches</u>
Inlet:	28	
Outlet:	22	

# Model: TCE 31-4

## Capacity

---

R404A/R507

### Cooling capacity [kW]

<b>TD \ t<sub>a</sub></b>	<b>15</b>	<b>20</b>	<b>25</b>	<b>30</b>	<b>35</b>	<b>40</b>	<b>45</b>	<b>50</b>
<b>8</b>	16.42	16.24	16.00	15.73	15.45	15.19	14.97	14.83
<b>10</b>	20.52	20.30	20.00	19.66	19.31	18.98	18.71	18.53
<b>12</b>	24.63	24.36	24.00	23.59	23.17	22.78	22.45	22.24
<b>14</b>	28.73	28.42	28.00	27.52	27.03	26.57	26.20	25.94
<b>16</b>	32.84	32.48	32.00	31.46	30.89	30.37	29.94	29.65
<b>18</b>	36.94	36.54	36.00	35.39	34.76	34.17	33.68	33.36
<b>20</b>	41.04	40.60	40.00	39.32	38.62	37.96	37.42	37.06

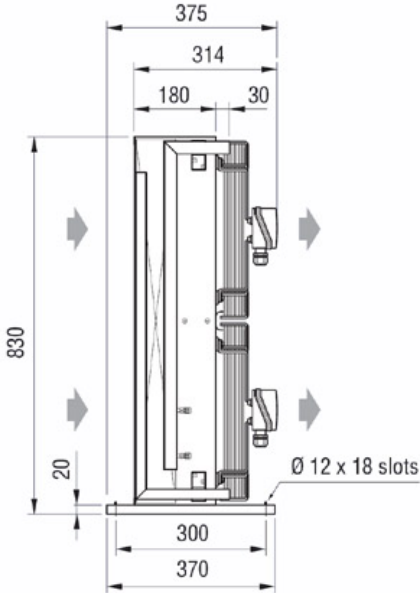
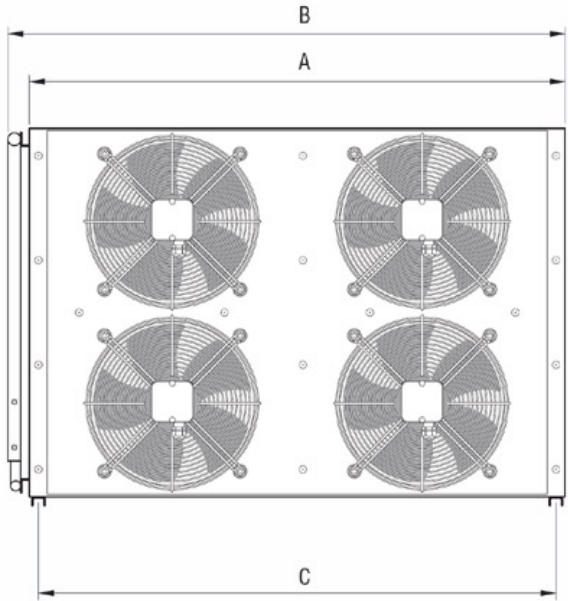
Operating conditions: height 0 m above sea level, aluminium fins

TD - Difference between condensing and ambient temperature [K]

t<sub>a</sub> - Ambient temperature [°C]

# Model: TCE 31-4

## Dimensions



A	1179 mm
B	1226 mm
C	1139 mm

**Model: TCE 31-4**

**Image**

---

